

LEWMAR®

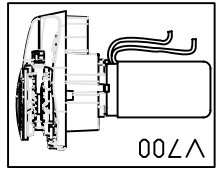
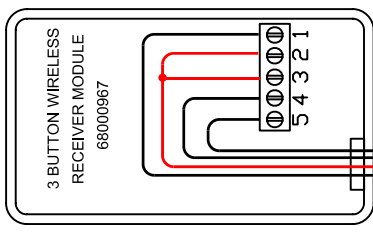
68000967 3 BUTTON WIRELESS CONTROL

68000968 5 BUTTON WIRELESS CONTROL

RECOMMENDED WIRING DIAGRAMS FOR LEWMAR PRODUCTS:

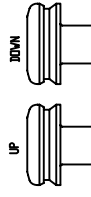
- V700, Pro-Series, Pro-Fish, Pro-Sport with Sealed Contactor
- V700, Pro-Series, Pro-Fish, Pro-Sport with Pre-wired Contactor in box
- V1, V2, V3 & V5 with Sealed Contactor
- V1, V2, V3 & V5 with Contactor in Box
- V4 with Sealed Contactor
- V4 with Contactor in Box
- H2 & H3
- 140TT2.0kW Electric Thruster (5 Button Only)
- 140TT2.2kW, All 185TT, 250TT & 300TT Electric Thrusters (5 Button Only)

CIRCUIT BREAKER



BATTERY 12/24VDC

ELECTRIC SWITCHES



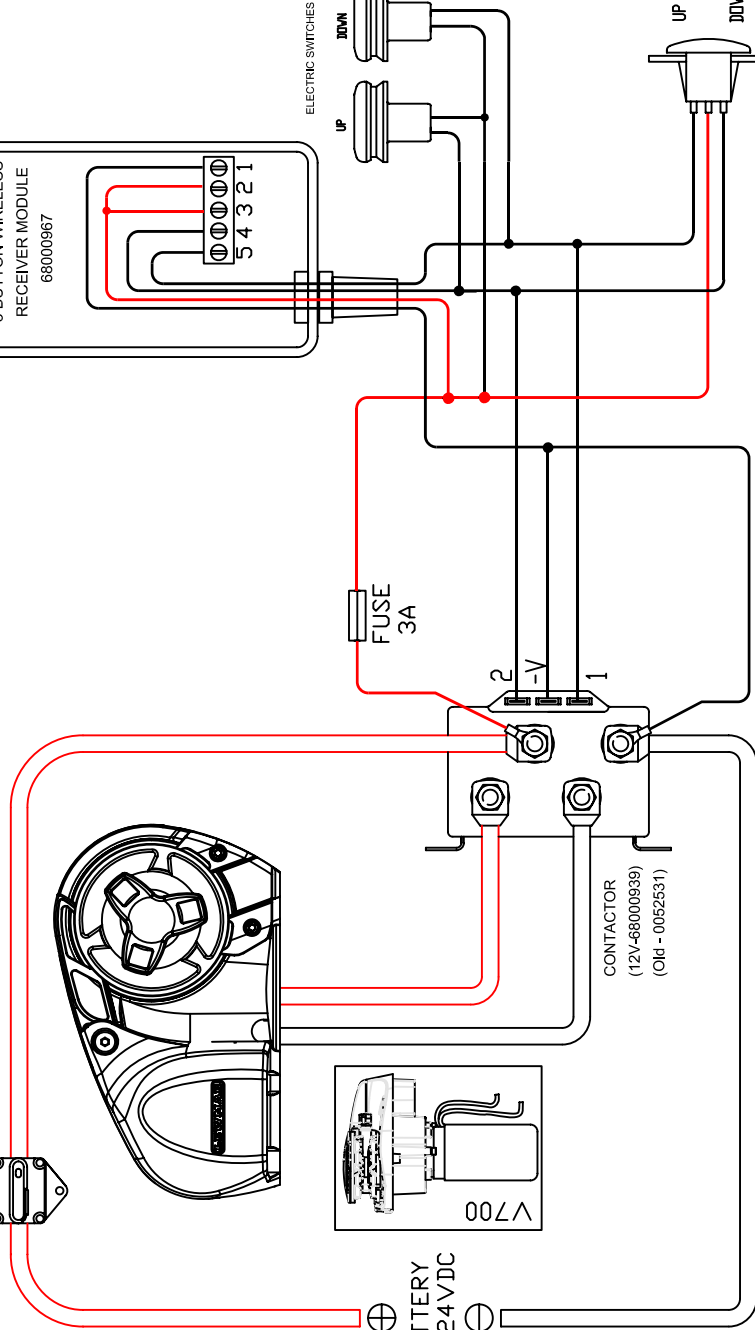
FUSE 3A

2 -V 1

CONTACTOR (12V-68000939) (Old - 0052531)

ROCKER SWITCH (68000593)

UP DOWN

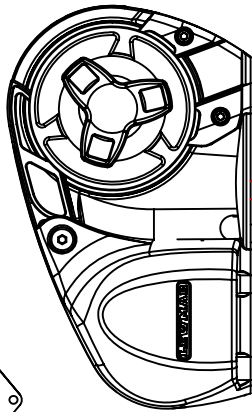
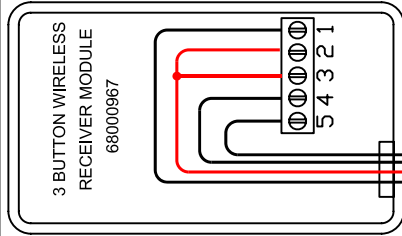


Permanent Magnet Dual Direction Contactor - 68000939 (0052531 - Old)

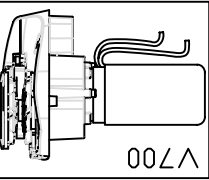
Wiring Diagram 12VDC

Used on: Pro-Sport, Pro-Series/Fish 700 & 1000, V700, Concept 0, Sprint 600 & 1000, Horizon 600F & 900F

CIRCUIT BREAKER

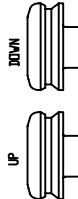


FUSE 3A

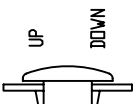


BATTERY
12/24VDC

ELECTRIC SWITCHES

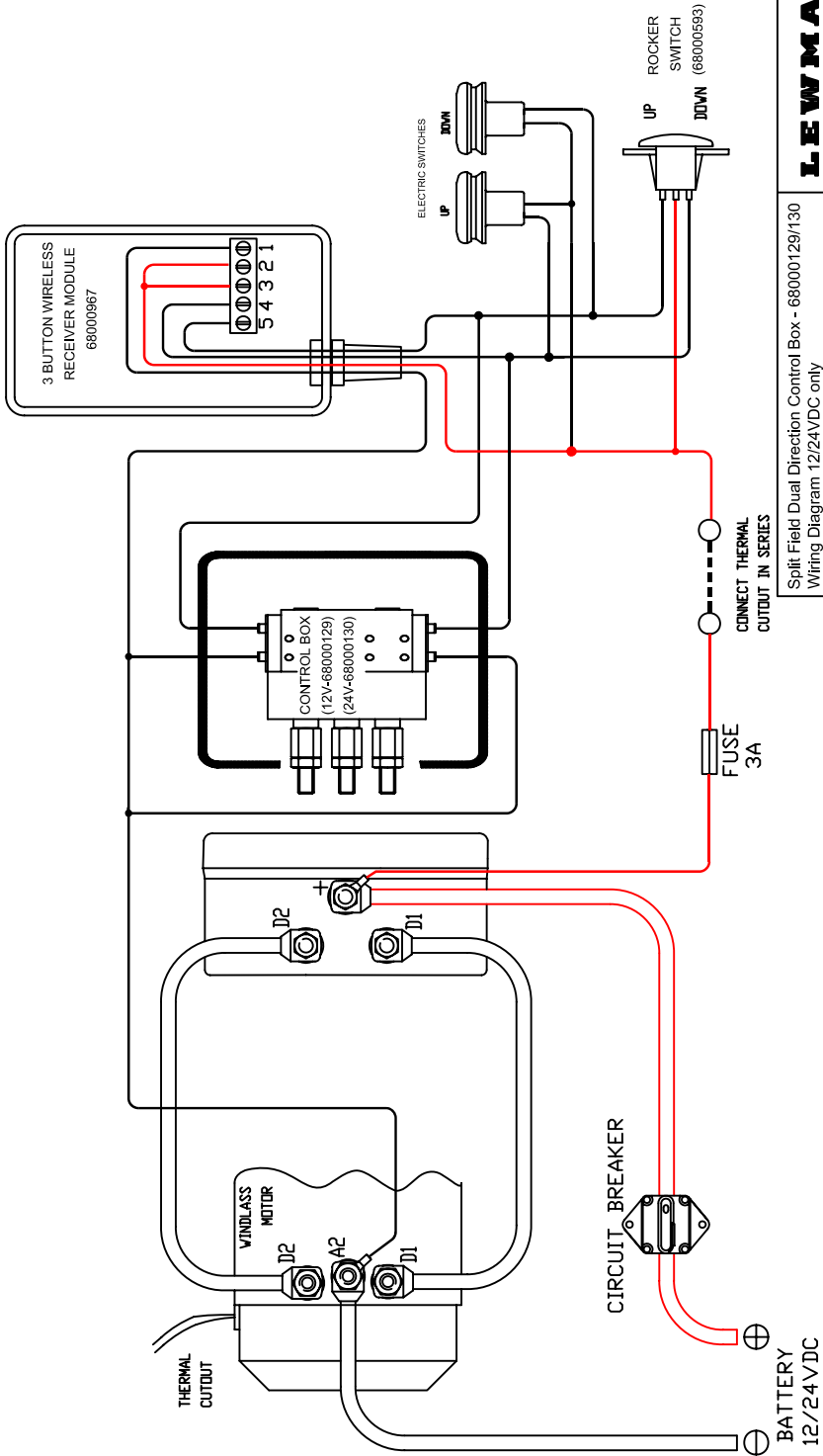


ROCKER SWITCH
(68000593)

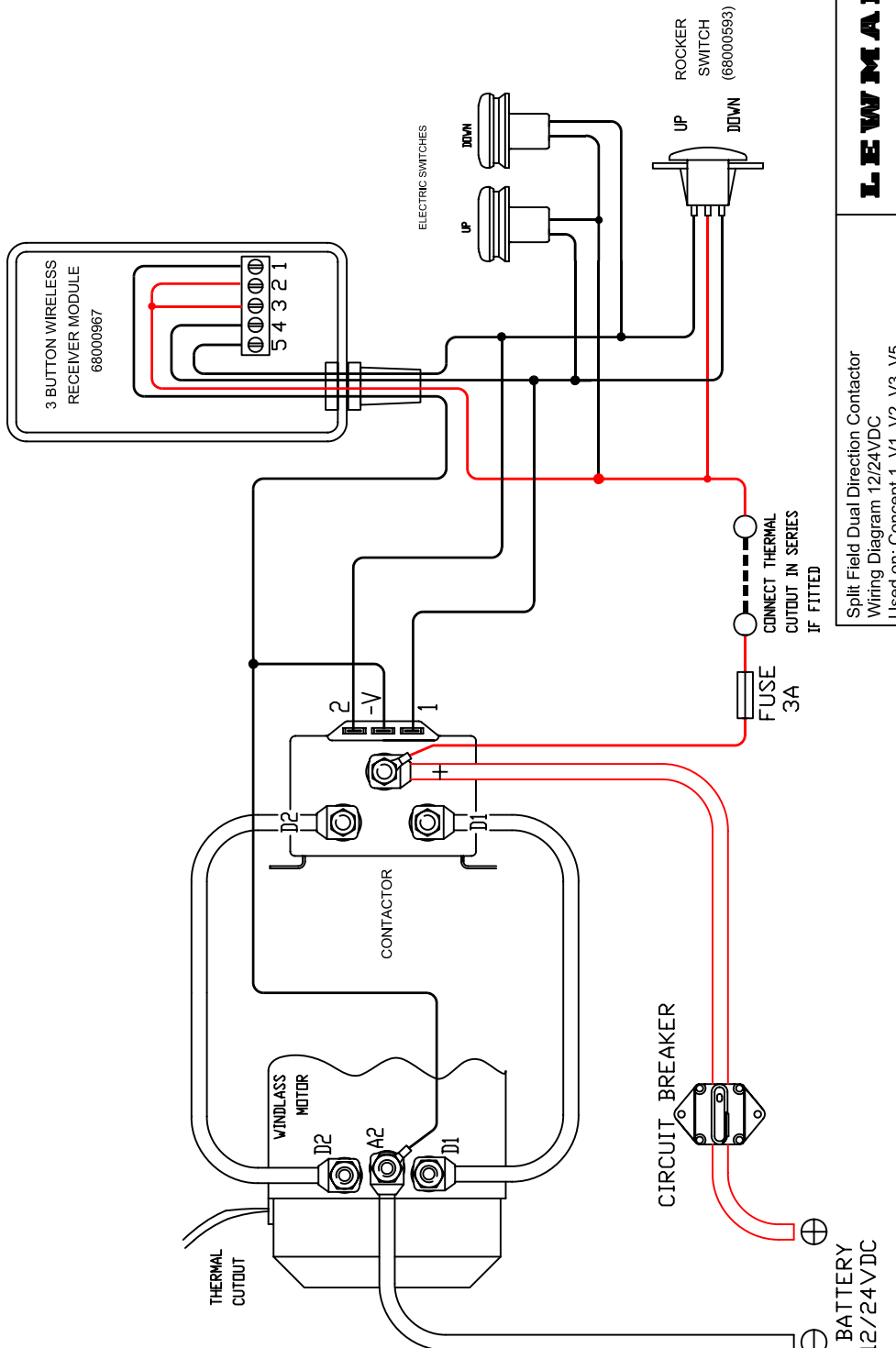


Permanent Magnet Dual Direction Control Box - 0052509/10
Wiring Diagram 12/24VDC
Used on: Pro-Sport, Pro-Series/Fish 700 & 1000, V700, Concept 0, Sprint 600 & 1000, Horizon 600F & 900F

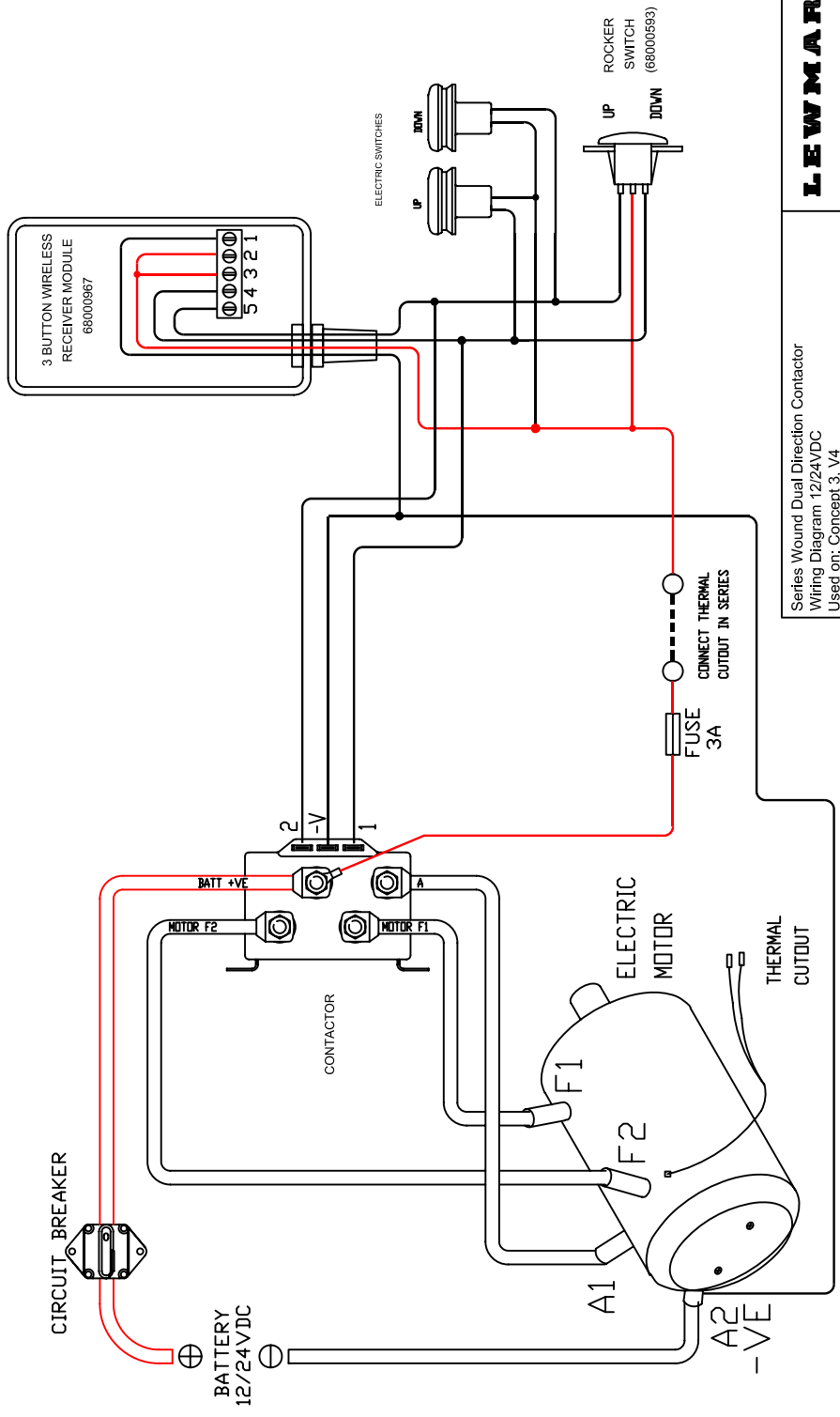
LEWMAR



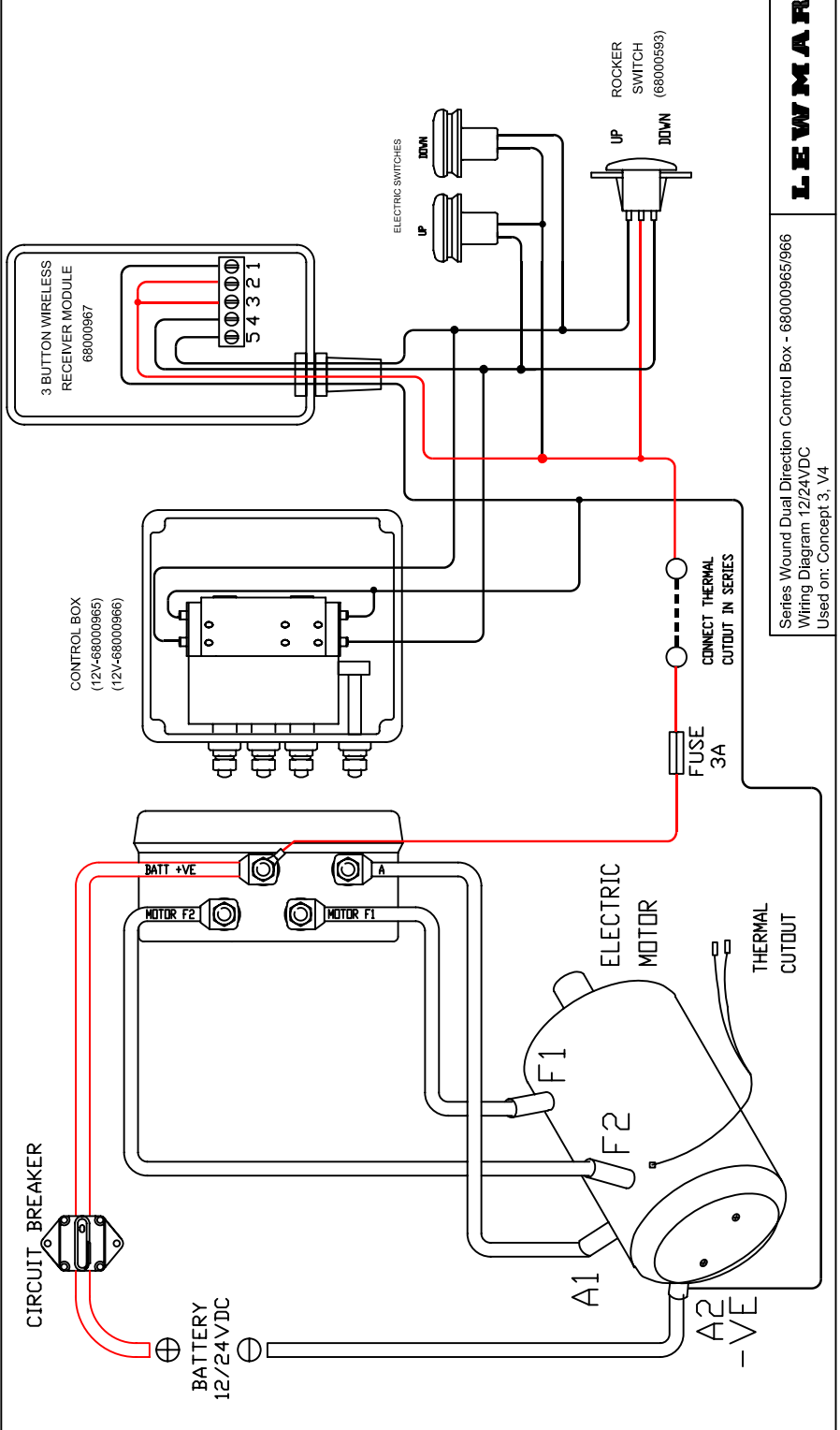
Split Field Dual Direction Control Box - 68000129/130
 Wiring Diagram 12/24VDC only
 Used on: Concept 1, V1, V2, V3, V5

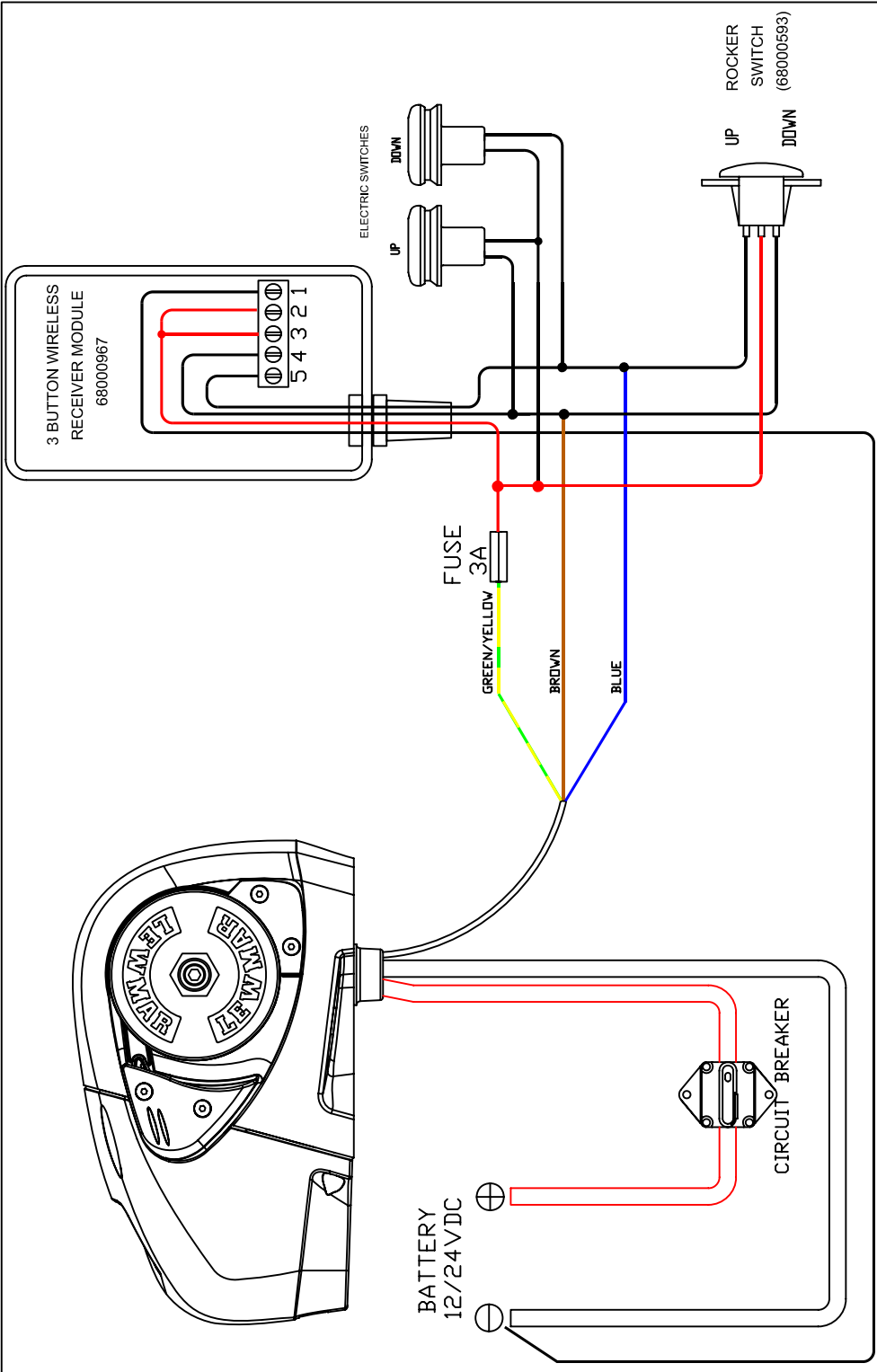


Split Field Dual Direction Contactor
Wiring Diagram 12/24VDC
Used on: Concept 1, V1, V2, V3, V5

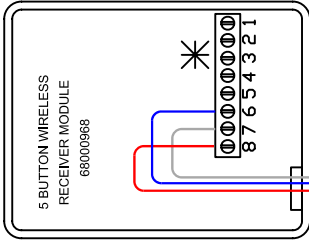


Series Wound Dual Direction Contactor
Wiring Diagram 12/24VDC
Used on: Concept 3, V4

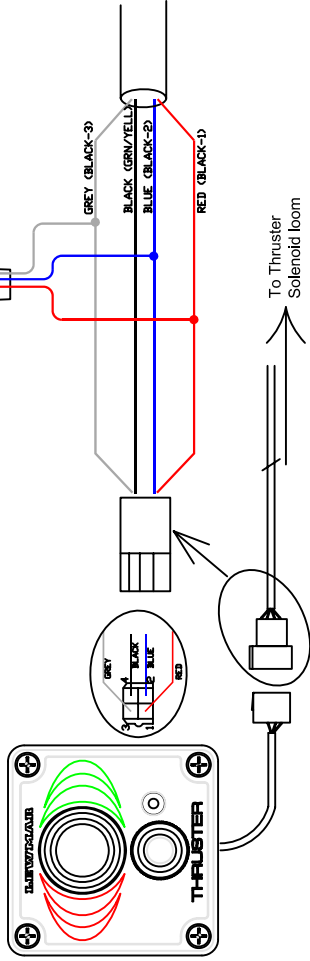




Wiring Diagram 12/24VDC
Used on: H2 & H3



*
For Terminals 1 to 5
Refer to windlass wiring
Diagrams



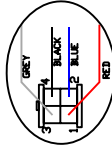
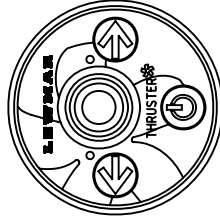
Thruster Positive Switching system
Wiring Diagram 12VDC
Used on: 140TT2.0KW only.

5 BUTTON WIRELESS
RECEIVER MODULE
680000968

8 7 6 5 4 3 2 1



For Terminals 1 to 5
Refer to windlass wiring
Diagrams



GREY(BLACK-3)

BLACK(GRN/YELL)

BLUE(BLACK-2)

RED(BLACK-1)

To Thruster Black box
Via Automatic Battery switch if fitted
and/or P/S Battery switch if fitted

Thruster Negative Switching system
Wiring Diagram 12/24VDC
Used on: 140TT, 2.2KW; All 185TT, 250TT, 300TT

LEWMAR